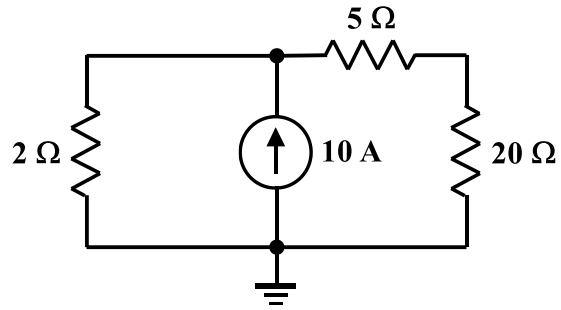


EE 2240
Homework Problem #016

Assign node labels and express the node equations in the matrix form discussed in class.



Do not solve the equations.